

1

2

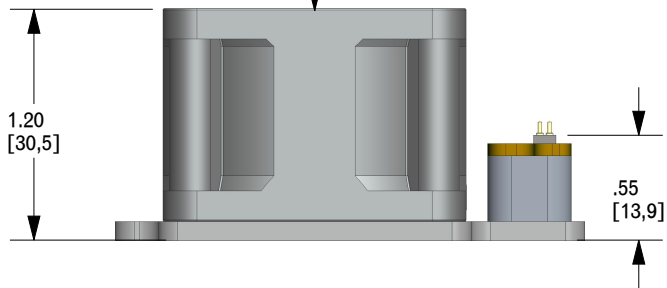
3

4

REVISIONS

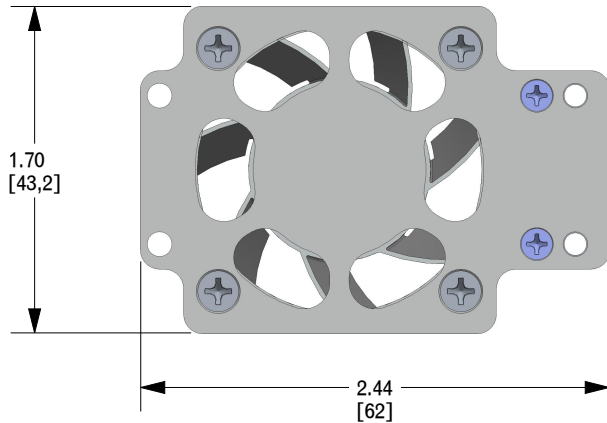
REV	DESCRIPTION	DATE	APPROVED
A	INITIAL RELEASE PER ECO 17-22155	6/2/17	DS

DIRECTION OF AIRFLOW



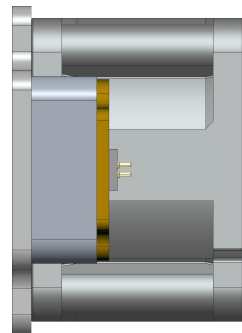
A

A

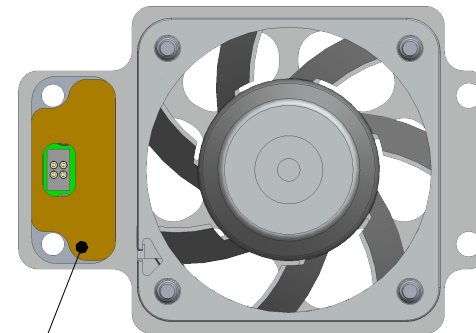


B

B



SEALING GASKET



C

C

NOTES:
 1. REFERENCE SYNQOR SPECIFICATION: 705-MPS0006
 2. WEIGHT: 2.44oz (69g)

TOLERANCES:

Unless otherwise specified:
 All dimensions in inches

.X +/- .025
 .XX +/- .010
 .XXX +/- .005
 Angles +/- 1°

THIRD ANGLE PROJECTION



THIS DRAWING IS THE PROPERTY OF SYNQOR INC.
 It is not to be reproduced or copied, in whole
 or in part, or used for furnishing information
 to others, or for any purpose detrimental to the
 interests of SynQor. The information shown herein
 may be protected by patents owned or controlled by SynQor.



155 Swanson Road
 Boxborough, MA 01719

Replaceable Fan Module

SOURCE: PRO/E 705-MPS0006

SIZE	DATE	DWG. NO.	REV
A	6/2/17	SYN-9450	A

SCALE: 1.000 DRAWN: DS CHECK: SHEET 1 of 2

1

2

3

4

1

2

3

4

A

A

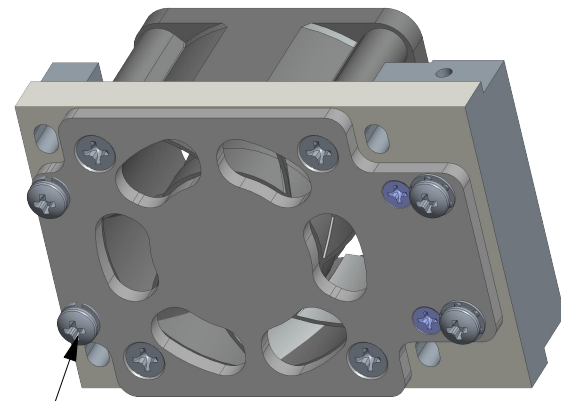
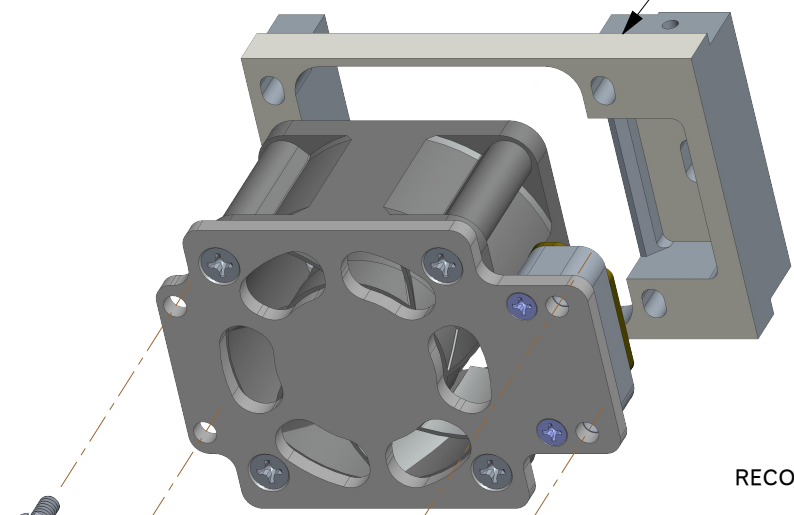
B

B

C

C

Back Panel



RECOMMENDED INSTALLATION
TORQUE 8 lb-in (0.90 N-m)
4 Places

4-40 x 5/16"
SS Pan Head Screw
with Lock Washer (2x)

4-40 x 5/8"
SS Pan Head Screw
with Lock Washer (2x)

Seal Area

See Note 2

Fan Contacts

TOLERANCES:

Unless otherwise specified:
All dimensions in inches

.X +/- .025
.XX +/- .010
.XXX +/- .005
Angles +/- 1°

THIRD ANGLE PROJECTION



THIS DRAWING IS THE PROPERTY OF SYNQOR INC.
It is not to be reproduced or copied, in whole
or in part, or used for furnishing information
to others, or for any purpose detrimental to the
interests of SynQor. The information shown herein
may be protected by patents owned or controlled by SynQor.



155 Swanson Road
Boxborough, MA 01719

Replaceable Fan Module

SOURCE: PRO/E 012-6MPS002-FAN_ASSEMBLY_KIT

SIZE	DATE	DWG. NO.	REV
A	6/2/17	SYN-9450	A

SCALE: 1.000 DRAWN: DS CHECK: SHEET 2 of 2

- Replacable fan installation notes:
1. Removal: Remove and discard 4-40 screws. Slide fan module out of back panel.
 2. Cleaning: Carefully clean fan contacts and surrounding area to remove any dirt or foreign material if present.
 3. Installation: Insert fan module. Install 4-40 screws supplied in kit. Torque screws as indicated.

1

2

3

4